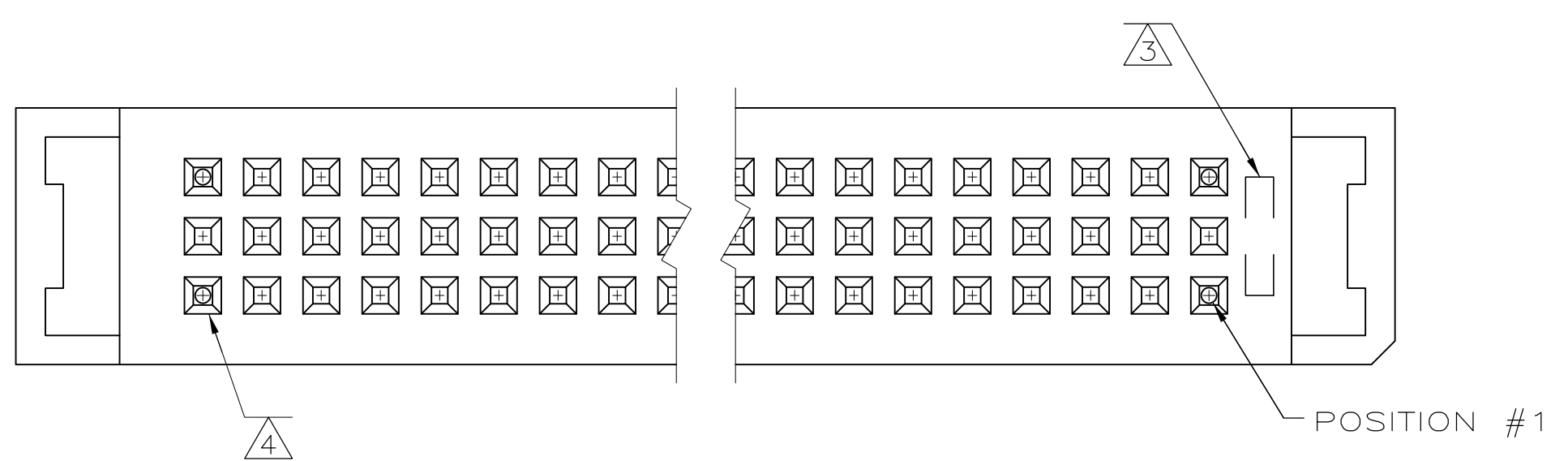
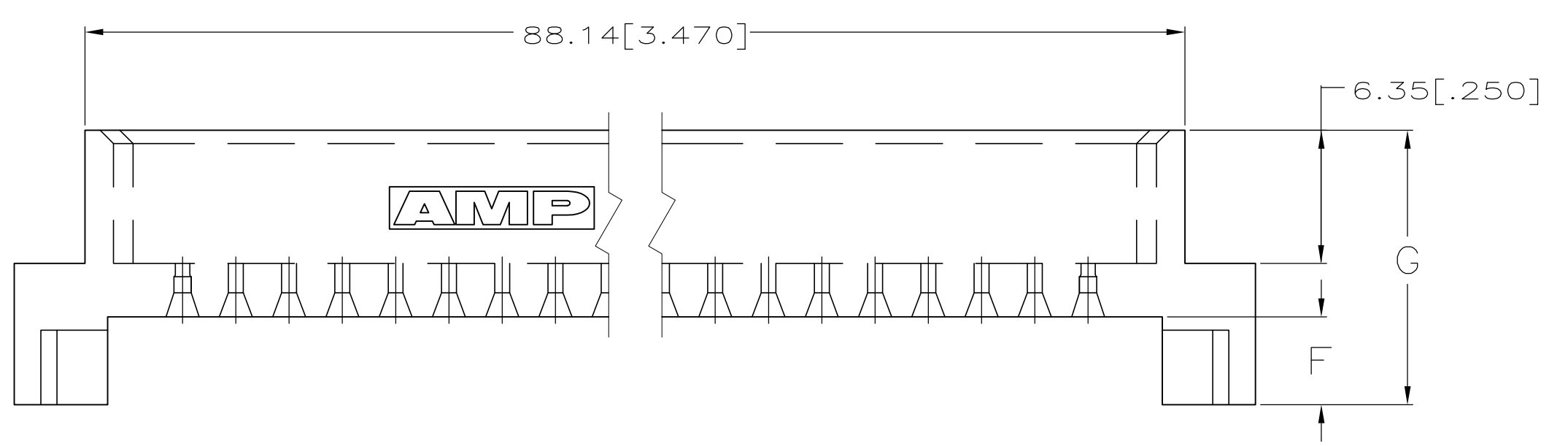
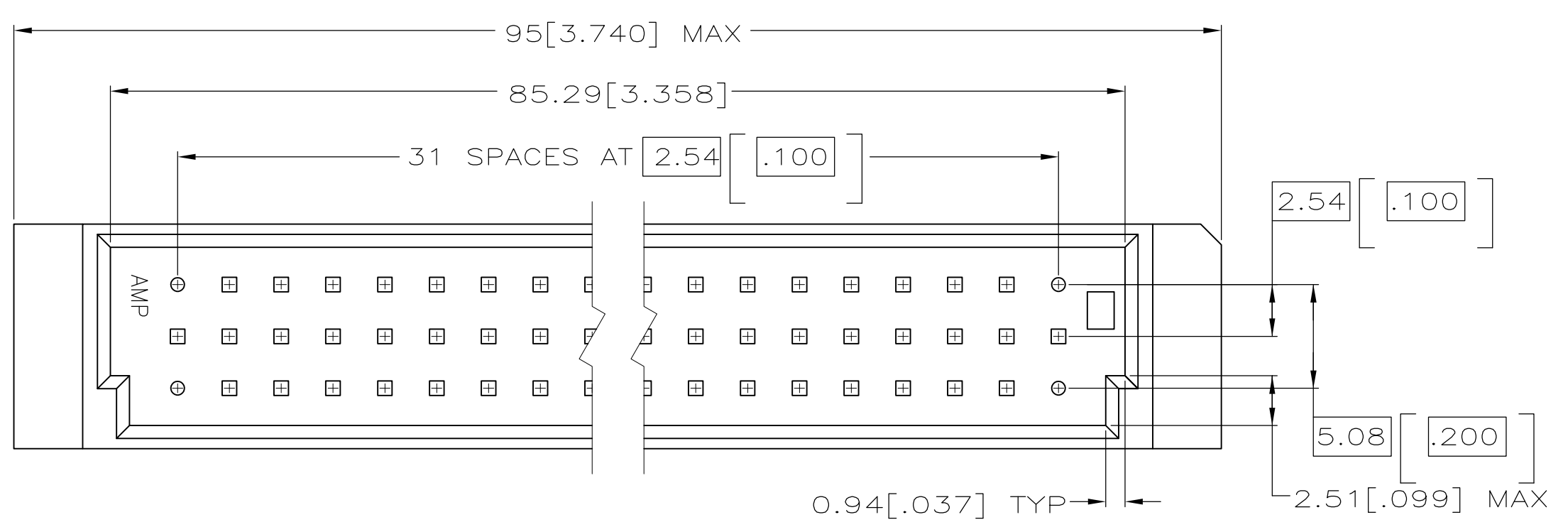
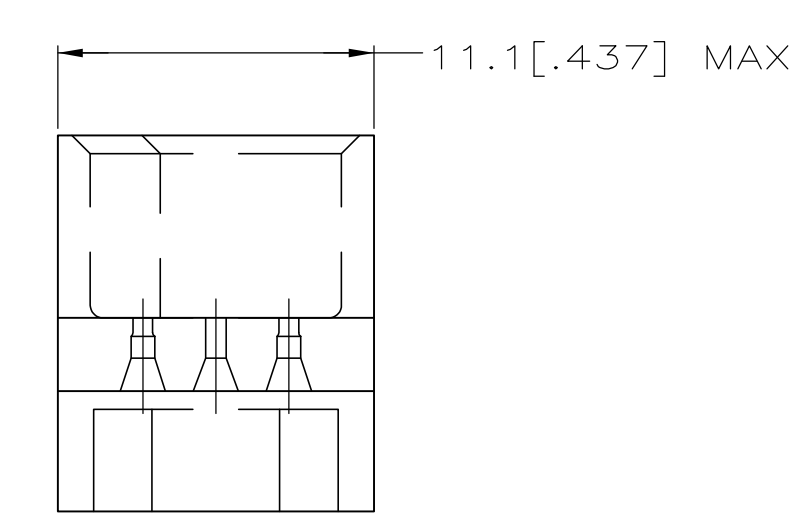


THIS DRAWING IS UNPUBLISHED. RELEASED FOR PUBLICATION
 © COPYRIGHT - By - ALL RIGHTS RESERVED.

LOC		DIST		REVISIONS			
P	LR	DESCRIPTION	DATE	OWN	APVD		
J1		REVISED PER ECO-11-004835	11MAR11	RK	HMR		



- 2 MATERIAL: GLASS-FILLED POLYESTER. COLOR: GRAY.
- 3 AMP PART NUMBER MOLDED IN THIS APPROXIMATE AREA.
- 4 INTERFERENCE CAVITIES LOCATED AT POSITIONS 1,32 IN ROWS "A" AND "C".



OBSOLETE	17 [.669]	3.94 [.155]	14.48 [.570]	5.59 [.220]	1-533236-4
OBSOLETE	-	-	8.89 [.350]	-	1-533236-3
OBSOLETE	18.62 [.733]	1.57 [.062]	18.42 [.725]	9.53 [.375]	1-533236-2
	17 [.669]	1.57 [.062]	16.89 [.665]	8.00 [.315]	1-533236-1
	13.23 [.521]	1.57 [.062]	13.08 [.515]	4.19 [.165]	1-533236-0
OBSOLETE	18.62 [.733]	2.36 [.093]	17.78 [.700]	8.89 [.350]	533236-9
	17 [.669]	2.36 [.093]	16.13 [.635]	7.24 [.285]	533236-8
	13.23 [.521]	2.36 [.093]	12.32 [.485]	3.43 [.135]	533236-7
SUPERSEDED BY 1-533236-1	18.62 [.733]	3.18 [.125]	16.89 [.665]	8.00 [.315]	533236-6
	17 [.669]	3.18 [.125]	15.24 [.600]	6.35 [.250]	533236-5
	13.23 [.521]	3.18 [.125]	11.43 [.450]	2.54 [.100]	533236-4
OBSOLETE	-	-	17.27 [.680]	8.38 [.330]	533236-3
OBSOLETE	-	-	15.24 [.600]	6.35 [.250]	533236-2
OBSOLETE	-	-	11.43 [.450]	2.54 [.100]	533236-1
	CONNECTOR TAIL LENGTH	PC BOARD THICKNESS	G	F	PART NUMBER

THIS DRAWING IS A CONTROLLED DOCUMENT.

DIMENSIONS: MM(INCHES)	TOLERANCES UNLESS OTHERWISE SPECIFIED:	0 PLC ± -	1 PLC ± -	2 PLC ± -	3 PLC ± 0.13 [.005]	4 PLC ± -	ANGLES ± -	FINISH -
------------------------	--	-----------	-----------	-----------	---------------------	-----------	------------	----------

MATERIAL: HSG: 2

OWN: L. BRINER 12/9/91
 CHK: R. PATTERSON 12/18/91
 APVD: R. PATTERSON 12/18/91

NAME: SHROUD, EUROCARD WITH STANDOFFS
 PRODUCT SPEC: -
 APPLICATION SPEC: -

SIZE: A1 CAGE CODE: 00779 DRAWING NO: 533236

SCALE: 4:1 SHEET: 1 OF 1 REV: J1

CUSTOMER DRAWING